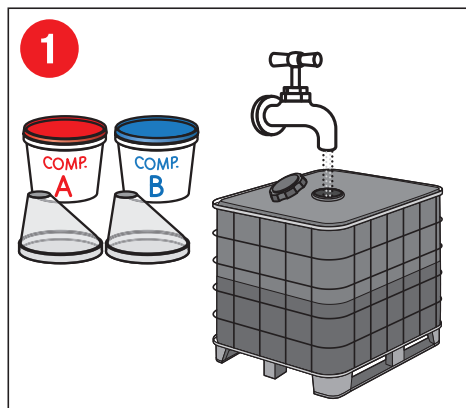




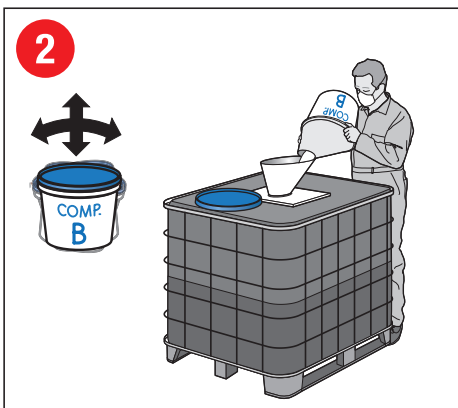
USING INSTRUCTIONS

for 100 - 200 - 500 - 1,000 liter

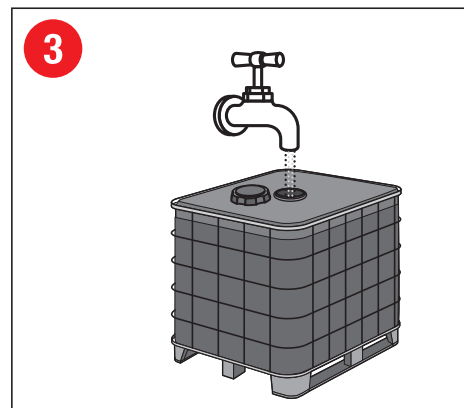
Always read the material safety data sheet (MSDS) and follow the safety instructions!



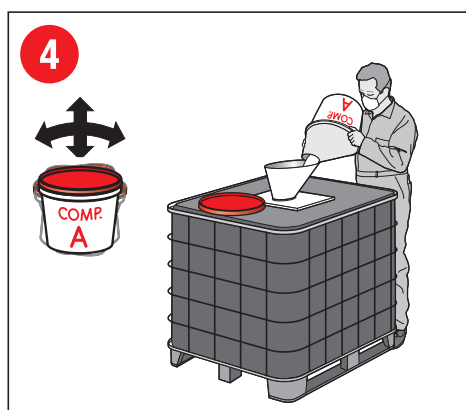
1 Fill the container with approximately HALF the required amount of (tap) water.



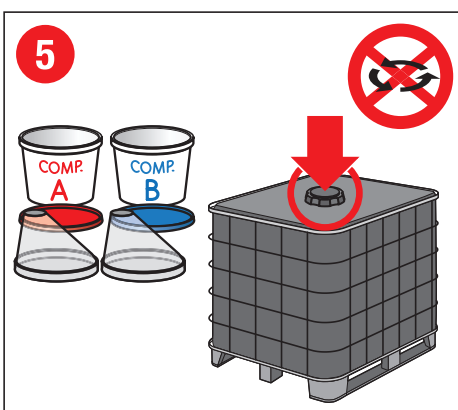
2 Shake the pails and add Component B to the container with water.



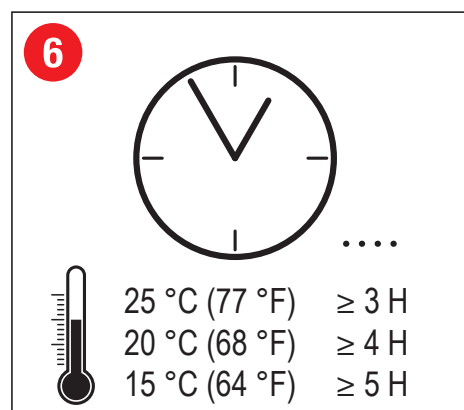
3 Add the remainder of the required amount of water to the container.



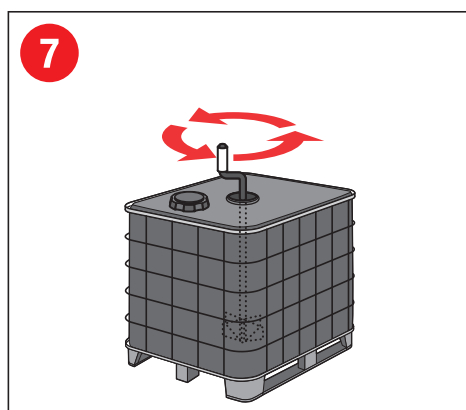
4 Then add Component A to the container.



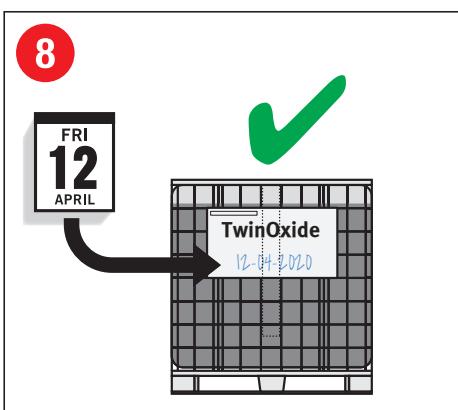
5 Securely close the container. Do not shake or stir!



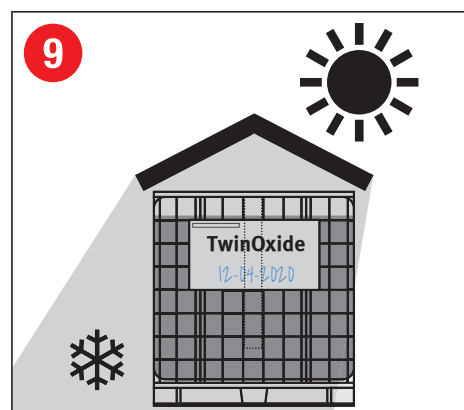
6 Wait according to the timetable.



7 Stir the solution gently. Beware of ClO₂ gas release.



8 TwinOxide solution is ready for use for approx. 30 days – write the date of preparation on the label of the container.



9 Store in a cool and dark place, > 4 °C.